



US00D374058S

United States Patent [19]

[11] Patent Number: **Des. 374,058**

Lindquist, II

[45] Date of Patent: ****Sep. 24, 1996**

[54] **FISHING ROD WRAPPING TOOL BASE**

Fiberglass Rod Making by Dale Clemens, ©1974, p. 47, Homemade Wrapper.

[76] Inventor: **Charles A. Lindquist, II**, N. 5736 Walnut, Spokane, Wash. 99205

Primary Examiner—Doris V. Coles
Attorney, Agent, or Firm—Wells, St. John, Roberts, Gregory & Matkin P.S.

[**] Term: **14 Years**

[21] Appl. No.: **34,105**

[22] Filed: **Jan. 27, 1995**

[57] CLAIM

[52] **U.S. Cl.** **D22/134**

The ornamental design for a fishing rod wrapping tool base, as shown and described.

[58] **Field of Search** D22/134, 149, D22/108; 43/1; 242/7.19, 47

DESCRIPTION

[56] References Cited

U.S. PATENT DOCUMENTS

| | | | |
|------------|---------|--------------------|----------|
| D. 346,003 | 4/1994 | Anderson | D22/108 |
| 2,430,892 | 11/1947 | Tirrell | 242/7.19 |
| 2,486,739 | 11/1949 | Foster | 242/7.19 |
| 2,556,827 | 6/1951 | Striano | 242/7.19 |
| 2,564,016 | 8/1951 | Maddic | 242/7.19 |
| 2,609,155 | 9/1952 | Fosnaugh | 242/7.19 |
| 2,640,653 | 6/1953 | Wodetzky | 242/7.19 |
| 2,989,255 | 6/1961 | Smith, Jr. | 242/7.19 |
| 3,197,148 | 7/1965 | Edick | 242/7.19 |
| 3,448,506 | 6/1969 | Bishop et al. | 242/7.19 |
| 3,642,215 | 2/1972 | Bishop et al. | 242/7.19 |
| 4,279,684 | 7/1981 | Mason | 242/7.19 |
| 4,315,606 | 2/1982 | Seiders | 242/7.19 |
| 4,442,981 | 4/1984 | Cope | 242/7.19 |

OTHER PUBLICATIONS

“Shoff’s Custom Tackle—1995 Rod Building Catalog”, pp. 40–41.
Cabela’s Spring 1993, p. 97 Deluxe Wooden Rod Wrapper & Deluxe Professional Rod Wrapper.

FIG. 1 is a perspective view of a fishing rod wrapping tool base showing my new design;

FIG. 2 is a top plan view thereof;

FIG. 3 is a front elevation view thereof;

FIG. 4 is a rear elevation view thereof;

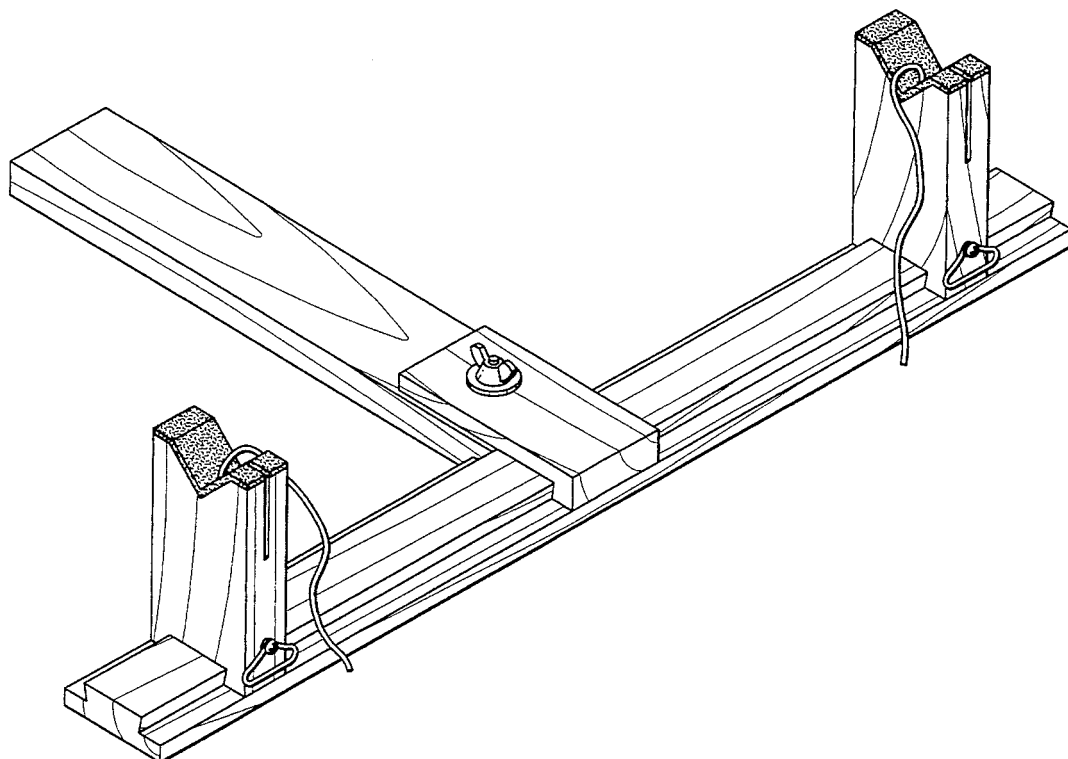
FIG. 5 is a right side elevation view thereof, the opposed left side being a mirror image of the right side;

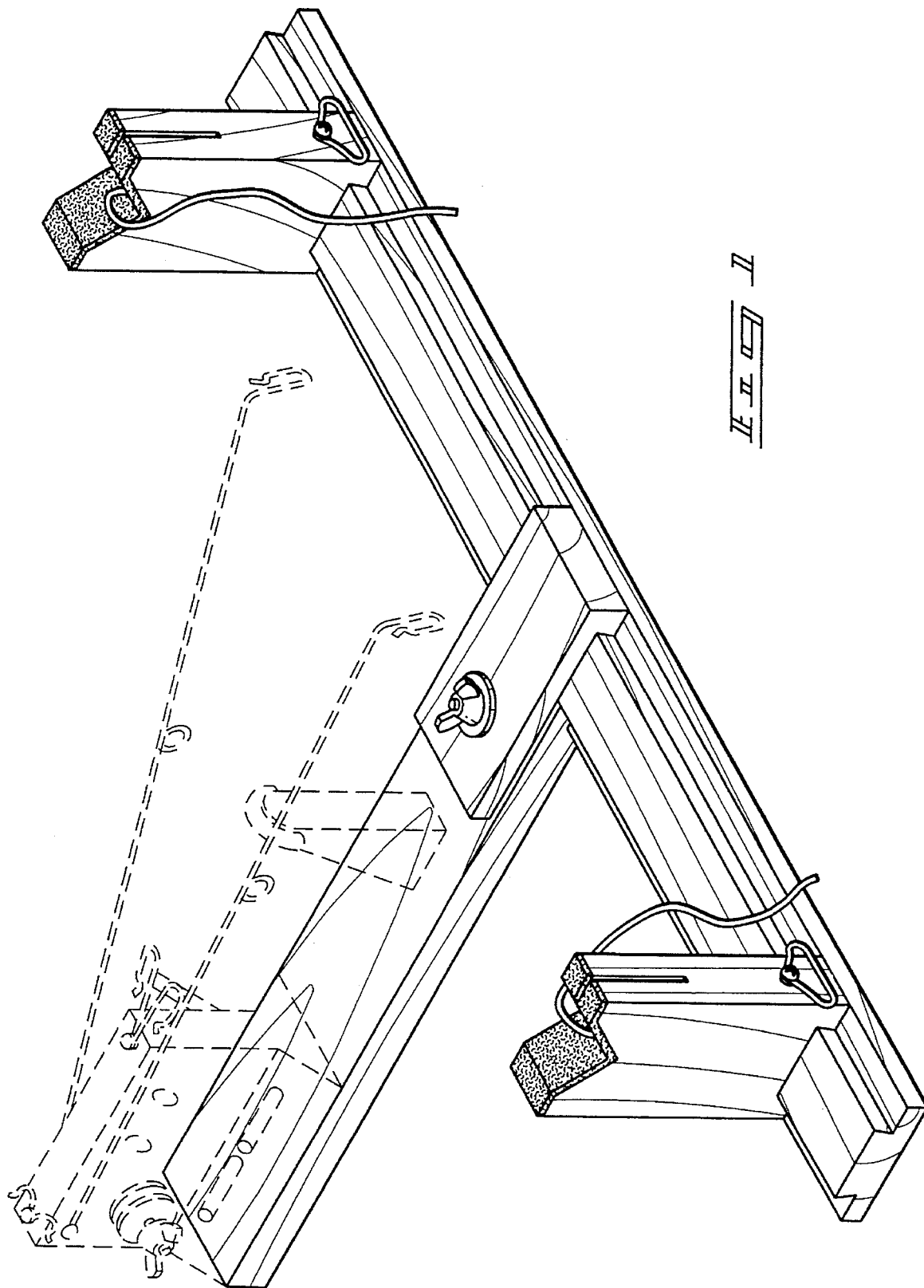
FIG. 6 is a bottom plan view thereof; and,

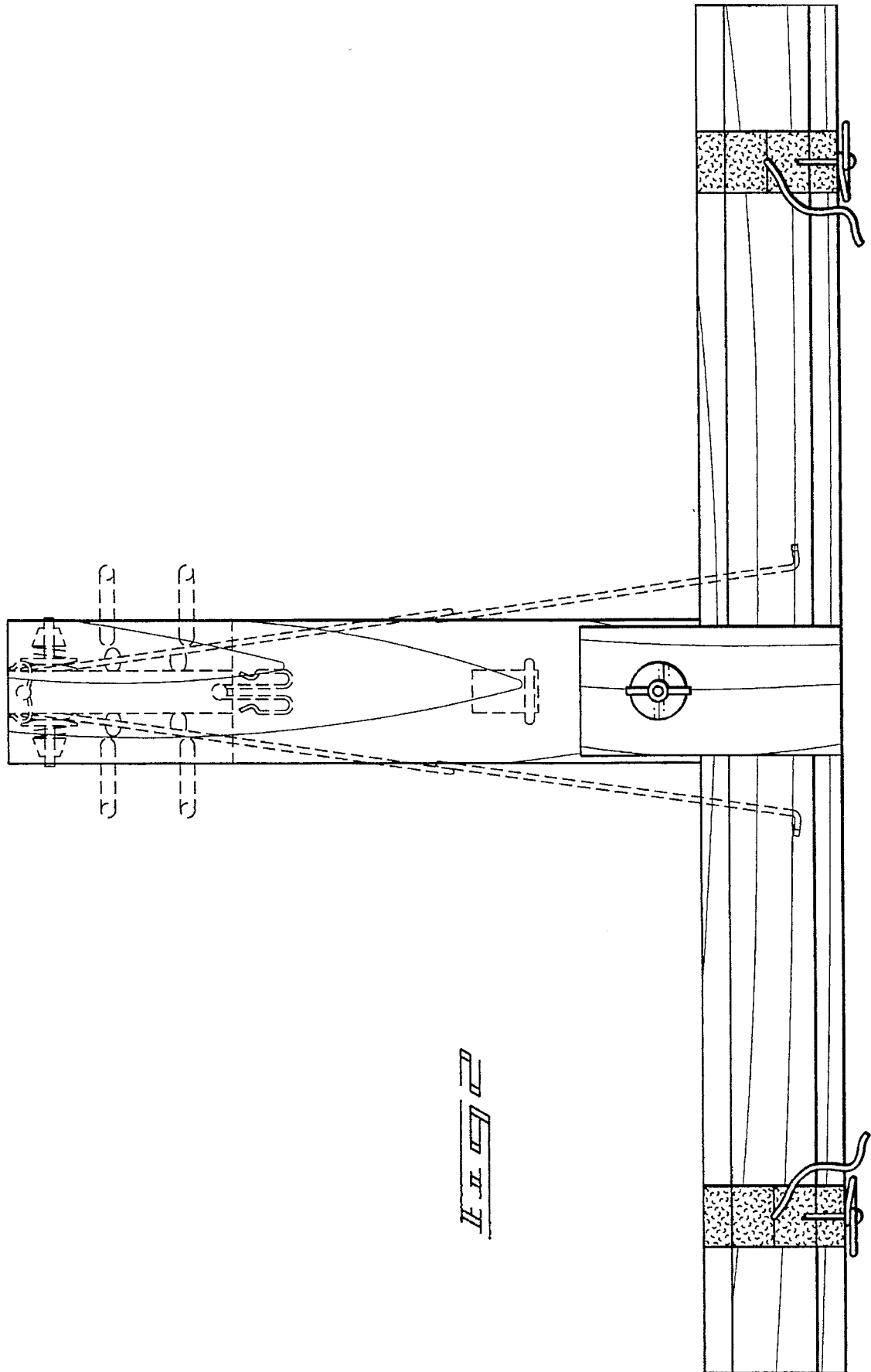
FIG. 7 is a perspective view similar to FIG. 1 but without the broken line showing of environmental structure.

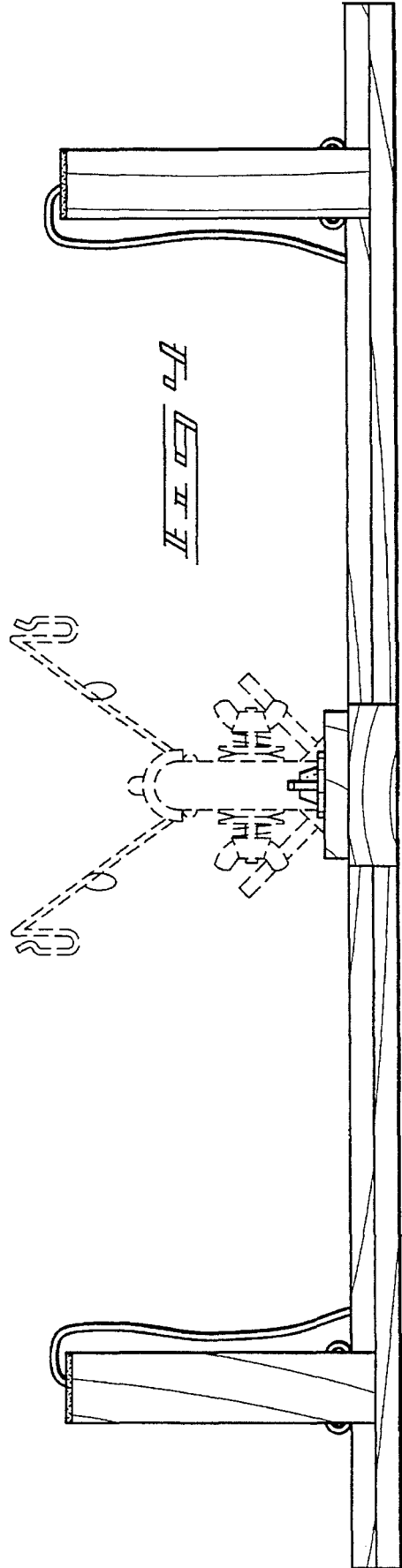
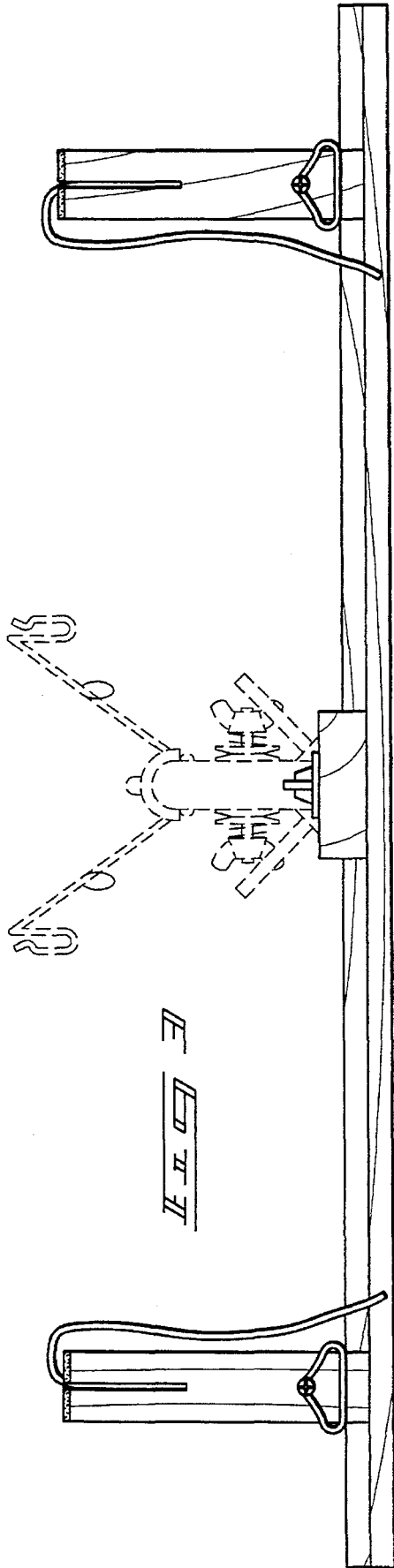
The broken line showing is for illustrative purposes only to indicate environmental structure and forms no part of the claimed design.

1 Claim, 6 Drawing Sheets









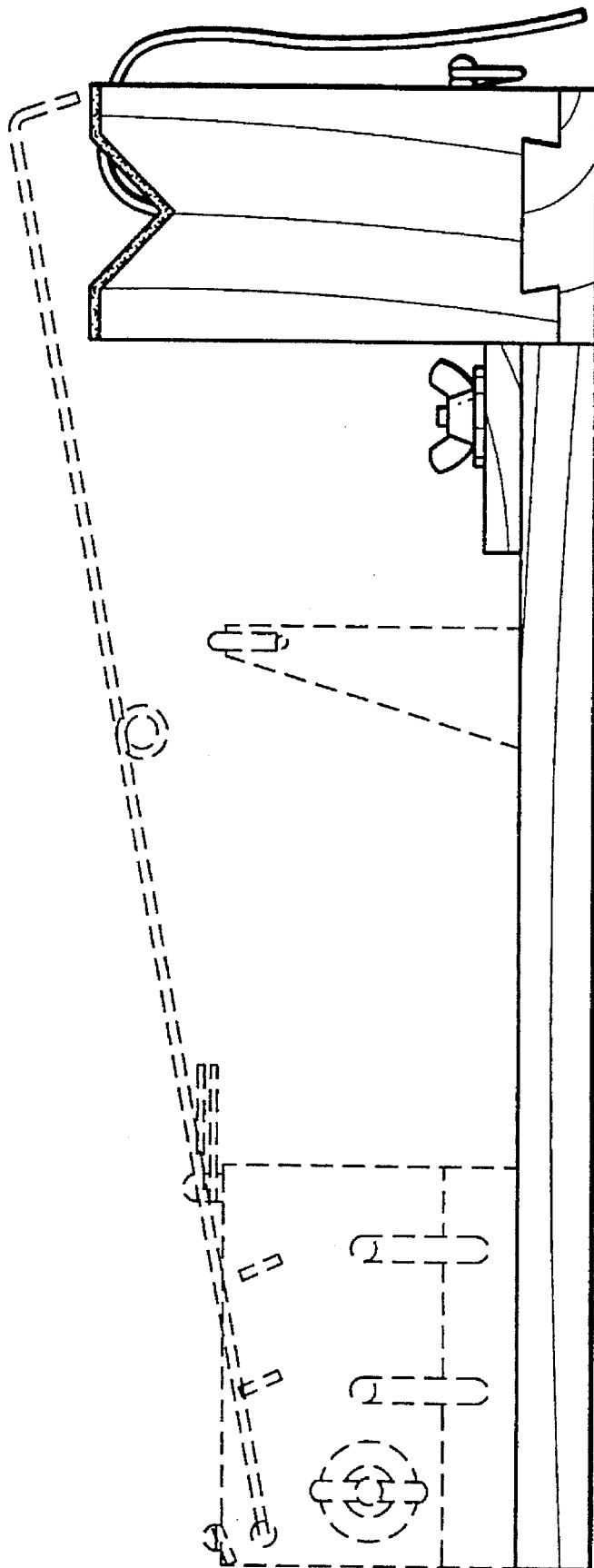


FIG. 4

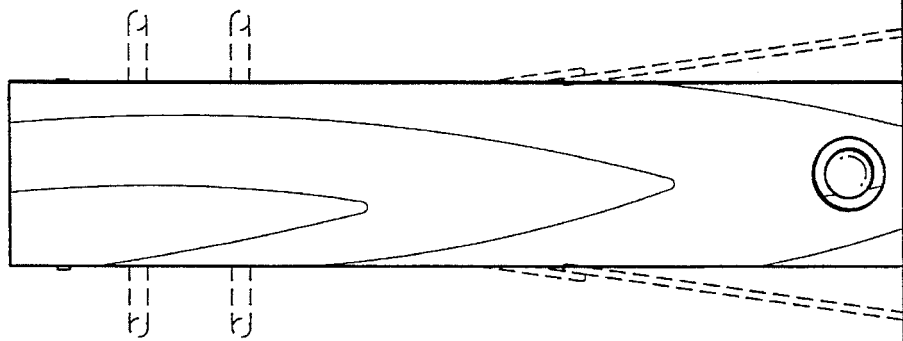
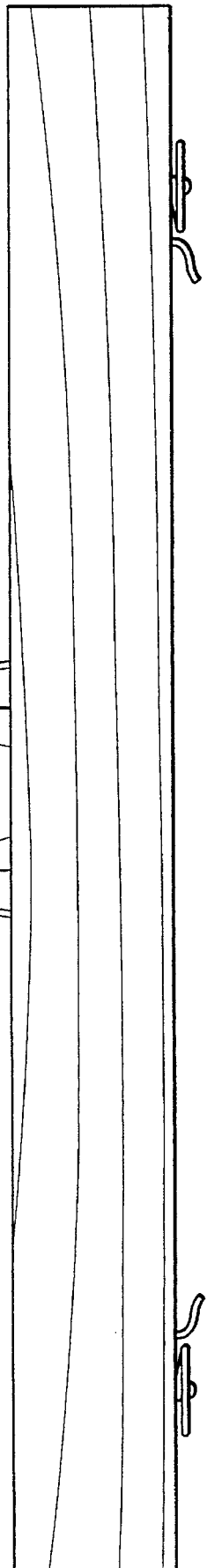
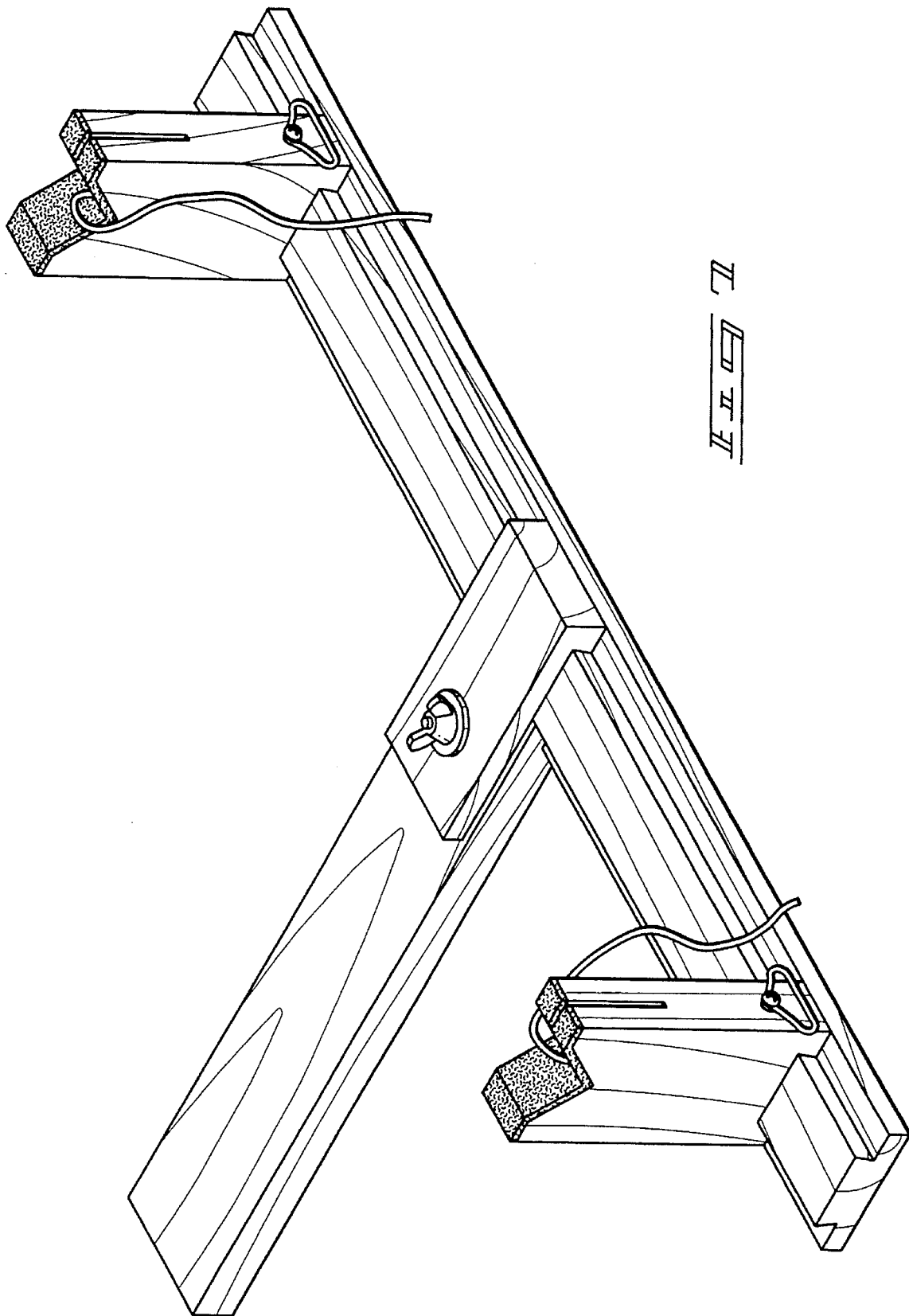


FIG. 5





11